



SYCRA CA02

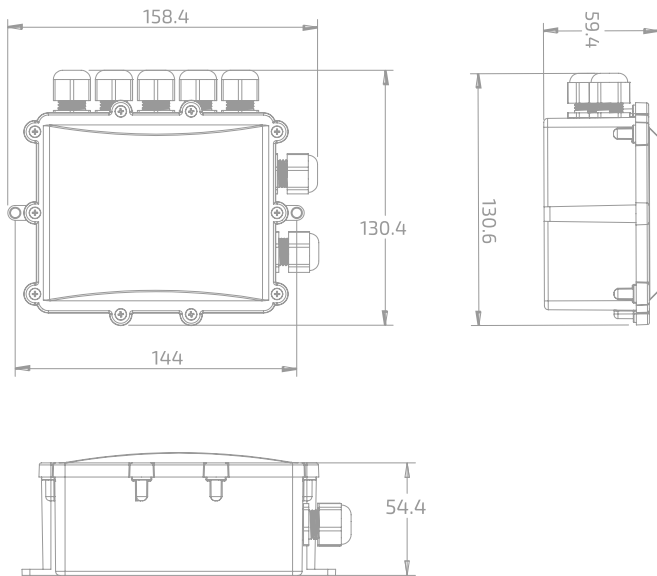
A Powerful Wireless-To-Wired smart controller.

The SmartStation consists of 1 AC power input, 1 socket for DMX/RDM communication and 5 sockets acting as AC lamp power switch.

The DMX/RDM socket can be used to connect DMX controlled lamps. The additional 5 light outputs have simple relay control for switching on and off. This control is not limited to lighting.

Data from an external sensor box can be used to control switching of the lights connected to the lamp control box. The sensor box can communicate either by DMX/RDM, Wireless Mesh or Lora. When a sensor is connected via the DMX/RDM interface it can also be powered from the light control box internal PSU with max. 24V/50mA.

More details on the sensor box can be provided on request.



Technical data

AC Input	100-240VAC, 50-60Hz 8A @240VAC
AC Output (Lamp Socket)	100-240VAC/8A** fuse (Socket1 Max 5A**) (Socket2 Max 5A) (Socket3 Max 5A) (Socket4 Max 5A) (Socket5 Max 5A)
DC Output	24V/0.15A (only with external DC power source)
Number of Sockets	5x 240VAC Relays output 1x DMX-RDM 1x PWM/0-10V 1x DALI 1x MCI
Operating Temperature	- 30°C ~ 85°C - 22 °F ~ 185°F
Size (mm)	158.4 x 130.6 x 59.4mm
Color	Black
Ingress Protection	IP66
Material	ABS, 94V-2 grade
Weight	400 g 0.9 lb
AC power output	5 X Relay for Lamp control
Relay Specs	5 A 250 VAC (cosφ=1) 85°C, Peak inrush 30A / Break 1A 230VAC 85°C, TV-3 rated.
Wireless Mesh Connection	200m*
LoRa Connection	2000m*

NOTE: Inrush Current Protection is required, to avoid damage on the Relays.

(*) Connection is under free air and range can significantly drop depending on the mounting and environmental conditions.

(**) Total power of 8A can be spread over 5 Relays, with 5A max on every Relay for resistive load.

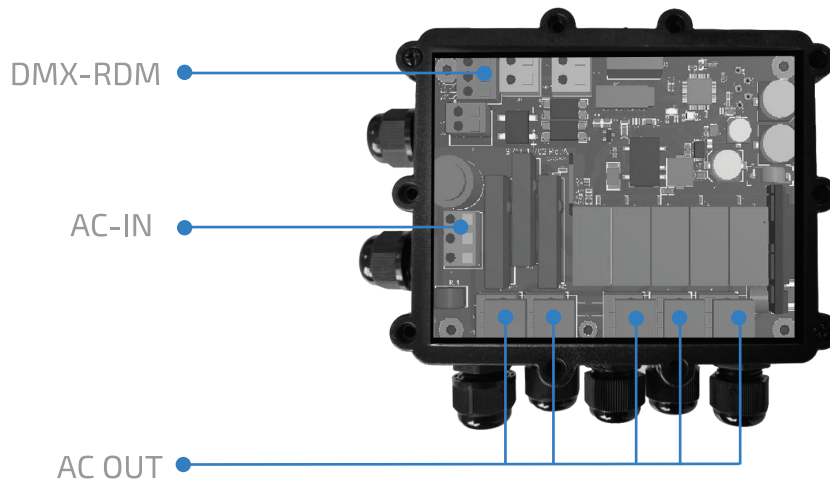
Features

- 5 Simple LED Lamp sockets
 - Individually control on/off
 - Resettable Fuse protection
- 1 DMX-RDM socket with 24V/50mA supply
 - Dimmable
- Wireless Mesh connection
 - Up to 100m connection range
- Fault management
 - AC input power monitoring
 - RDM and DALI-2 protocol monitoring
 - When fault detected, the box will notify the gateway.
 - Over current protection via internal fuse

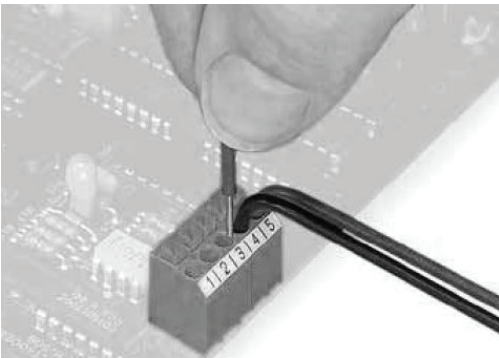
Applications

- Control of light fixtures in smart system
- IoT for Lighting Systems

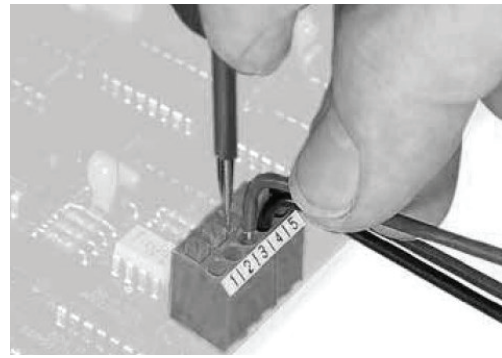
Internal Diagram



Cabling



A: Inserting a solid conductor via push-in termination.



B: Removing a conductor via push-button

Strip length	8...9mm/ 0.31...0.35 inch
Conductor entry angle to the PCB	90degree
Solid conductor	0.5... 1.5mm ² / 20... 16AWG
Fine-stranded conductor with ferrule with plastic collar	0.5... 1mm ²
Fine-stranded conductor with ferrule without plastic collar	0.5... 1mm ²

Configuration table

1- Power

A8A 100-240VAC; max. 8A

2- Number of controllable devices

D1R5 DMX/RDM and 5 Relay
L1R5 Dali Slave and 5 Relay
M1R5 Dali Master and 5 Relay
V1R5 0-10V 1 Channel and 5 Relay
P1R5 PWM 1 Channel and 5 Relay
M1V1R5 Dali Master, 0-10V 1 Channel and 5 Relay
L1V1R5 Dali Slave, 0-10V 1 Channel and 5 Relay
M1P1R5 Dali Master, PWM 1 Channel and 5 Relay
L1P1R5 Dali Slave, PWM 1 Channel and 5 Relay

3- Mounting

WL Wall
PL Pole
CL Ceiling

4- Connectivity

4 Wireless Mesh
5 Wireless Mesh + LoRa
6 LoRa
7 Z-Wave
8 SigFox
9 ZigBee

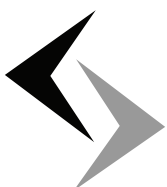
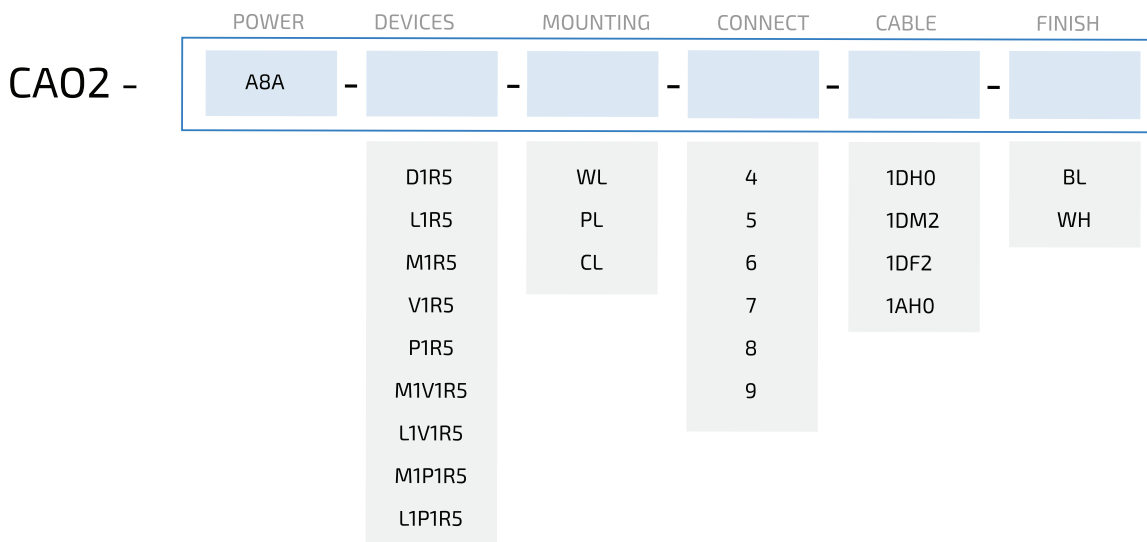
5- Cable

1DH0 1m DC Hybrid Open End
1DM2 1m DC Hybrid Male M21
1DF2 1m DC Hybrid Female M21
1AH0 1m AC Hybrid Open End

6- Finish

BL Black
WH White

Configuration options



SYCRA
One Step Smarter.

Germany
Stahlgruberring 36
81829 Munich,
Germany
(49) 89 215522535

Hong Kong
No.1120, Level 11, Landmark North,
39 Lung Sum Avenue, Sheung Shui,
New Territories
(852) 6850 8634

China
7 Ganli 6th rd, 2F Building Z,
Longgang district, 518000
Shenzhen, China
(86) 755 2891 1623

Sycra reserves the right to make changes to this product at any time without prior notice and such modification shall be effective immediately. For more information and details, visit www.sycratech.com or contact info@sycratech.com.

© Sycra Technologies Limited