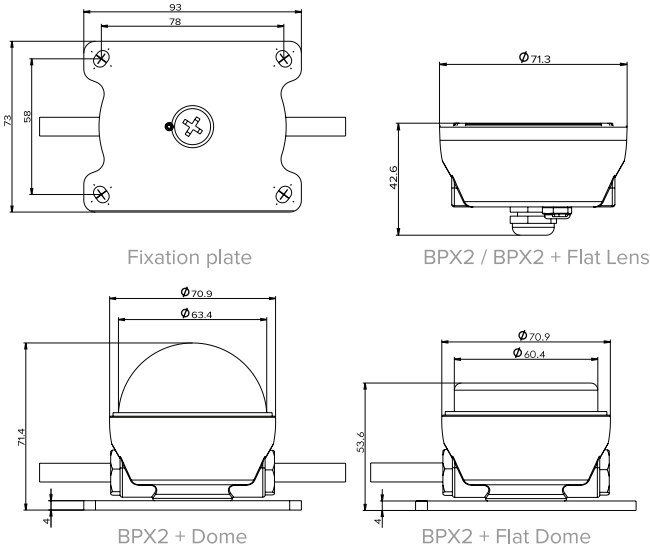


SYCRAPIXEL BPX2

Compact, versatile high output dynamic pixel node

The smallest of the BPX range, a compact exterior rated homogenous designed decorative pixel light; for a variety of applications from façade illumination, cityscape to landscape environments, offering various accessories of flat, dome lens for direct view or as a hanging pendant.

The BPX2 offers RGB, RGBW, RGBA or dynamic white providing the lighting designer with powerful versatility to ensure a multitude of different requirements can be fulfilled with a single product.



Technical data

Colors	RGB / RGBW / RGBA / W 3000k / W 4000k Dynamic White 2700k-4000k
Brightness	85lm/W
CRI	80
Beam Angle	Dome 180° / Flat 10°, 15°, 24°, 36°, 40°, 56°, 60°
Pixel	1
Power	3W(RGB), 4W(RGBW/RGBA/W/dynamic white)
Input Voltage	24VDC
Max Current	40mA per Channel
Average Lifetime	40.000 hours @ 40°C
Op. Temperature	-25°C - 50°C
Size (mm)	71 (dia) x 70 (h) Dome / 71 (dia) X 38 (h) Flat
Ingress Protection	IP66 / Outdoor / Indoor
Weight	400g
Material	Body: Aluminum / Cover: Polycarbonate
Finishes	Silver, White, Black
Control	DC PowerLine, DMX/RDM
Accessories	Hook/ Ring, Rail Fixation Plate, Dome, Flat Lens
Certifications	CE, FCC

Features

- Homogenous light distribution
- Extensive functionality
- Highly efficient lifetime solution
- Easy installation and maintenance
- Temperature Control Dimming
- Precise and high quality output
- Robust, compact design integrates into the architecture
- Auto Addressing

Applications

- Suitable for Indoor and Outdoor application
- Bridge Lighting
- Façade Lighting
- Landscape Lighting
- Cityscape Lighting

Configuration Table

1- Power

D04	4W, 24-48VDC
D06	6W, 24-48VDC

2- Color Temperature

C3	RGB
C4	RGBW
C6	RGBA
D1	Dynamic white 2200K-4000K
27	2700K
30	3000K
35	3500K
40	4000K
50	5000K
57	5700K
65	6500K

3- Beam Angle

R120	120 beam
R180	180 beam

4- Control

0	No control (on/off)
1	DMX/RDM
2	PWM / 0-10V

5- Cable

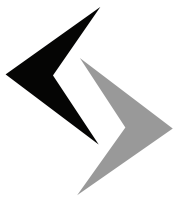
1DC0 / 1DC0	1m DC cable with open end each at input/output
1DH0 / 1DH0	1m DC Hybrid cable with open end at input/output
2DC0 / 2DC0	2m DC cable with open end at input/output
2DH0 / 2DH0	2m DC Hybrid cable w/ open end at input /output
1DM1 / 1DF1	1m DC Hybrid input/output cable w/M14 connectors
2DM1 / 2DF1	2m DC Hybrid input/output cable w/M14 connectors

6- Finish

BL	Black
SI	Silver
WH	White
MH	Mahogany RAL8016

Configuration Options

	POWER	COLOR	BEAM	CONTROL	CABLE	FINISH
BPX2 -						
	D04 D06	C3 C4 C6 D1 27 30 35 40 50 57 65	R120 R180	0 1 2	1DC0 / 1DC0 1DH0 / 1DH0 2DC0 / 2DC0 2DH0 / 2DH0 1DM1 / 1DF1 2DM1 / 2DF1	BL SI WH MH



SYCRA
One Step Smarter.

Germany
Stahlgruberring 36
81829 Munich,
Germany
(49) 89 215522535

Hong Kong
Unit 725, 7/F, Building 19W,
No. 19 Science Park West Avenue,
Hong Kong
(852) 6850 8634

China
7 Ganli 6th rd, 2F Building 2,
Longgang district, 518000
Shenzhen, China
(86) 755 2891 1623

Disclaimer:

Sycra reserves the right to make changes to this product at any time without prior notice and such modification shall be effective immediately. For more information and details, visit www.sycratech.com or contact info@sycratech.com.