



# SYCRASPOT BSP10

## Power and brightness the ultimate spotlight

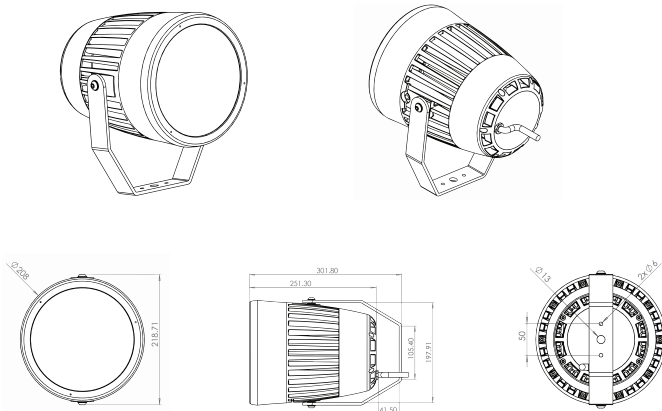
BSP10 is a powerful, robust, precise beam, controllable, pure aluminum IP66, AC spotlight with toughened glass lens, suitable for all architectural applications.

The BSP10 offers designers a product with a variety of options from seven static white colors, dynamic white, full color mixing and mounting accessories.

## Technical Data

Colors	White/RGBW/RGBA
Brightness	Up to 135lm/W (White)
CRI	≥90 (R9>90)
Beam Angle	4.5°,9°,13°,14°,24°,36°,60°
Pixels	1
Power	100W
Input voltage	100-240VAC
Max Current	0.5A@240VAC
Average Lifetime	50,000 hours @ 50°C
Operating Temperature	- 25°C ~50°C / -13°F ~122°F
Size (mm)	208 x 256
Protection	IP66, IK08
Material	Body: Aluminum, Cover: Glass
Weight	7.8kg / 17.2Lbs
Finishes (RAL)	Aluminum, Black, White
Control	DMX - RDM / MCI Plug **
Accessories	Louvre, Snoot, Bracket, Diffusersheet, Diffuser Dome, Power Data Distributor, M21 Connectors
Certifications	CE, CC, CCC

(\*MCI plug provide multiple communication wireless protocols)



## Features

- No glare with precise spectrum control and color point adjusting
- Temperature Control Dimming
- Ultra-High Color Rendering TLCI ≥96, CRI Ra ≥90, CRI Re ≥90 from 2700K to 6500K
- TruColor Calibration individually calibrated lights lead to 100% color consistency and exact color reproduction of color temperature and filter gels
- Homogenous light distribution
- Extensive functionality
- Highly efficient lifetime solution
- Easy installation and maintenance
- Robust, compact design integrates into the architecture
- Adjustable Mounting Bracket
- Plug & Play M21 connector system

## Applications

- Suitable for Indoor and Outdoor application
- Bridge Lighting
- Area Lighting
- Mast Lighting
- Landscape Lighting
- Cityscape Lighting
- Façade Lighting
- Stage Lighting

# Configuration Table

## 1- Power

D100	100W, 24-48VDC
A100	100W,110-240VAC

## 2- Color Option

C4	RGBW
C6	RGBA
H5	Horticultural Plant white
H6	Horticultural Plant RB
27	2700K
30	3000K
35	3500K
40	4000K
45	4500K
50	5000K
57	5700K
60	6000K
65	6500K

## 3- Lens Options

R10	10 beam
R13	13 beam
R15	15 beam
R24	24 beam
R36	36 beam
R50	50 beam
E14	10X40 beam

## 5- Control

0	No control ( on/off )
1	DMX/RDM
2	PWM / 0-10V

## 6- Connection

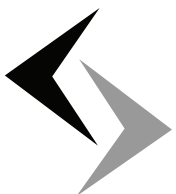
1DH0	1m DC Hybrid cable with open end
1DM2	1m DC Hybrid input cable with M21 connector
1DF2	1m DC Hybrid output cable with M21 connector
1AH0	1m AC Hybrid cable with open end
5AH0	5m AC Hybrid cable with open end
5DM2	5m DC Hybrid input cable with M21 connector
5AH0	1m AC cable with open end

## 7- Finish

BL	Black
SI	Silver
WH	White
MH	Mahogany RAL8016

# Configuration Options

	POWER	COLOR	LENS	CONTROL	CONNECTION	FINISH
BSP10 -						
	D100 A100	C4 C6 H5 H6 27 30 35 40 45 50 57 60 65	R10 R13 R15 R24 R36 R50 E14	0 1 2	1DH0 1DM2 1DF2 1AH0 5AH0 5DM2 5AH0	BL SI WH MH



**SYCRA**  
One Step Smarter.

**Germany**  
Stahlgruberring 36  
81829 Munich,  
Germany  
(49) 89 215522535

**Hong Kong**  
Unit 725, 7/F, Building 19W,  
No. 19 Science Park West Avenue,  
Hong Kong  
(852) 6850 8634

**China**  
7 Ganli 6th rd, 2F Building 2,  
Longgang district, 518000  
Shenzhen, China  
(86) 755 2891 1623

-----  
Disclaimer:

Sycra reserves the right to make changes to this product at any time without prior notice and such modification shall be effective immediately. For more information and details, visit [www.sycratech.com](http://www.sycratech.com) or contact [info@sycratech.com](mailto:info@sycratech.com).

© Sycra Technologies Limited