



SYCRASPOT BSP1

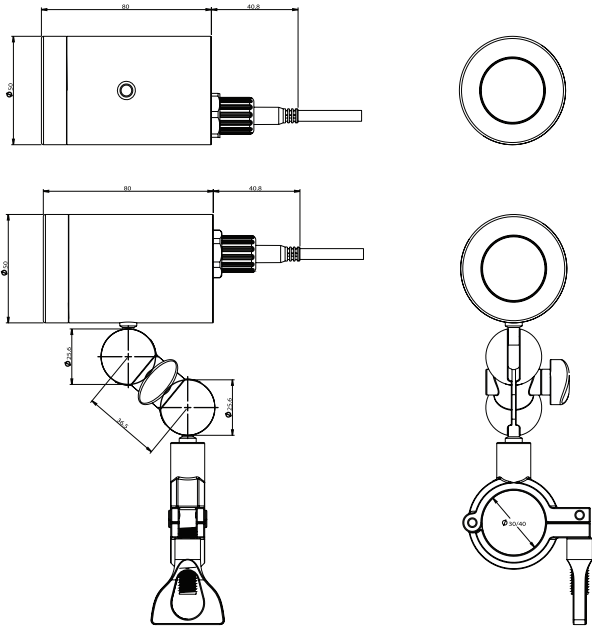
Versatile and compact spotlight

SycraSpot BSP1 series is a compact spot lamp with versatile mounting options for outdoor use. Its communication is achieved by modulating the control signal over the power line resulting in a simpler connection scheme and very low installation cost.

SycraSpot BSP1 series offers designers a versatile product with RGBW capability

Technical data

Colors	RGBW / RGBA / W 3000k / 4000k Dynamic White 2700k-4000k
Brightness	400lm max
Beam angle	17°, 45°, 60°, 70°, 80°
Pixels	1
Power	10W max
Input voltage	24VDC
Max current	450mA at 24VDC
Average lifetime	50,000 hrs at 50°C
0.temperature	-25°C to 50°C
Size (mm)	120.8 x 50
Protection	IP66, IK08
Material	Body : Aluminium / Cover: Glass
Weight:	300g
Finishes RAL	Aluminium, Black, White
Control	DC PowerLine, DMX/RDM
Accessories	Linear Louvre, Hexcel Louvre, 45° Visor, Snoot, Spike
Certifications	CE, CCC, FCC



Features

- Precision optics, no glare
- Temperature control dimming
- Trucolor calibration individually calibrated lights lead to 100% consistency and exact colour reproduction of colour temperature and filter gels.
- Homogenous light distribution
- Extensive functionality
- Highly efficient lifetime solution
- Easy installation and maintenance
- Robust, Compact design integrates into architecture
- Plug and play DC waterproof jack connector system.

Applications

- Suitable for Indoor and Outdoor application
- Bridge Lighting
- Area Lighting
- Mast Lighting
- Landscape Lighting
- Cityscape Lighting
- Façade Lighting
- Stage Lighting

Accessories



Spike



Snoot



Visor

Configuration options

1- Power

D10 10W 24V

2- Color Option

C4 RGBW
C6 RGBA
D2 Dynamic white 2700K-4000K
27 2700K
30 3000K
35 3500K
40 4000K

3- Lens Options

R10 10 beam
R15 15 beam
R20 20 beam
R25 25 beam
R30 30 beam
R40 40 beam
R50 50 beam
R60 60 beam
R75 75 beam

4- Control

0 On/Off
1 DMX / RDM

5- Connection

ODC1 housing built-in DC power line input connector
ODX5 housing built-in DMX-in 5 pins connector

6- Finish

BL Black (RAL9005)
WH White (RAL9003)
AU Aluminium

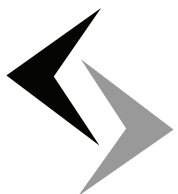
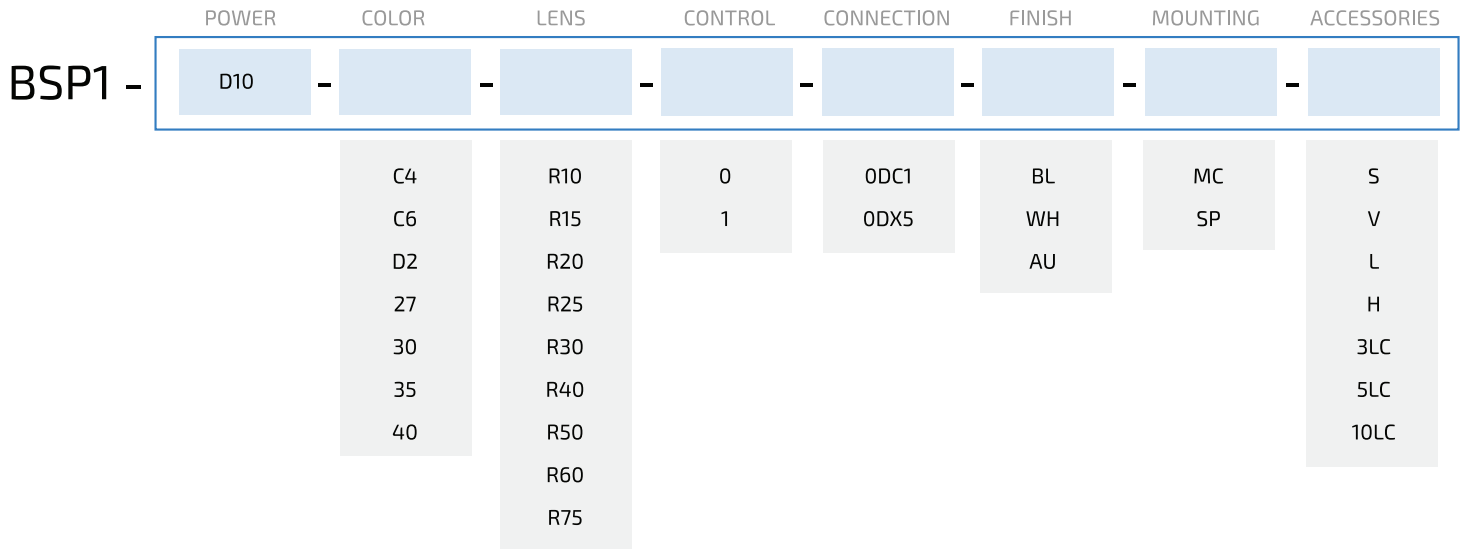
7- Mounting

MC Mounting Clamp (Ø40mm)
SP Ground Spike

8- Accessories

S Snoot
V 45° Visor
L Linear Louver
H Hexcel Louver
3LC 3M Leader Cable
5LC 5M Leader Cable
10LC 10M Leader

Configuration Options



SYCRA
One Step Smarter.

Germany
Stahlgruberring 36
81829 Munich,
Germany
(49) 89 215522535

Disclaimer:

Sycra reserves the right to make changes to this product at any time without prior notice and such modification shall be effective immediately. For more information and details, visit www.sycratech.com or contact info@sycratech.com.

© Sycra Technologies Limited

Hong Kong
Unit 725, 7/F, Building 19W,
No. 19 Science Park West Avenue,
Hong Kong
(852) 6850 8634

China
7 Ganli 6th rd, 2F Building 2,
Longgang district, 518000
Shenzhen, China
(86) 755 2891 1623