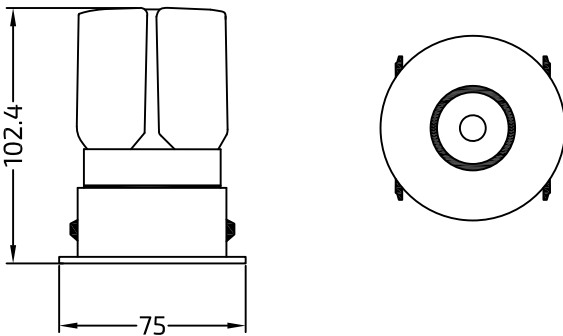


SYCRASPOT IDL2

Powerful Adaptative Smart Downlight

SycraSpot IDL2 is a powerful and discreet Smart Downlight that carries Sycra's WorkActiv Technology. It only needs a 68mm cutout for easy retrofitting and installation while its 15W smart-managed LED provides an adaptative, ultra bright and precise light beam, making it the perfect fit for any applications looking for a bright-but-energy-saving solution.

Just like any of its smart-enabled devices, the SycraSpot IDL family has a native Sycra Smart Module embedded allowing both wireless and wired connectivity and enabling all WorkActiv® features.



Technical data

Colors	2700k~6500k, CCT tunable
Brightness	90Lm/W
CRI	≥90
Beam Angle	15° / 24° / 38° / 55°
Pixels	1
Power	10W, 15W
Power Factor	>0.95@AC230V
Input Voltage	100~240Vac
Max Current	350mA
Average Lifetime	50.000 hours @ 50°C
Operating Temperature	-25°C - 40°C -13°F ~104°F
Size (mm)	Ø75mm / Cutout: Ø68mm
Ingress Protection	IP20
Weight	1.5kg – 3.3 Lbs.
Material	Aluminum
Finishes	Silver, White
Certifications	CE, CC, CCC, FCC, ETL/UL, MIC, RoHS

Features

- WorkActiv® Technology available
- Advance color mixing technology provides soft and delicate dimming whites
- Full spectrum natural white with tunable CCT
- Excellence vivid color technology, offering a constant high CRI over 80 for white light from 2200K to 6500K
- Calibration, color point setting and no glare.
- Flicker free, compatible with high-speed camera system
- Real time electricity power consumption monitoring
- Universal Input Voltage: 100-240VAC
- Easy installation and maintenance

Applications

- Offices and workspaces
- Commercial Application
- Commercial lighting
- Corridor lighting
- Hotels

Configuration table

1- Power

D10	10 Watts
D15	15 Watts

2- Color Temperature

C4	RGBW
D5	Dynamic white 2700K-6500K
27	2700K
30	3000K
35	3500K
40	4000K
50	5000K
60	6000K

3- Beam Angle

R15	15° beam
R24	24° beam
R38	38° beam
R55	55° beam

4- Control

0	No Control (on/off)
1	DMX/RDM
2	PWM / 0-10V
3	DALI / DALI2
4	DC Powerline
5	Wireless Mesh
6	Wireless/LoRa
7	LoRa
8	ZigBee

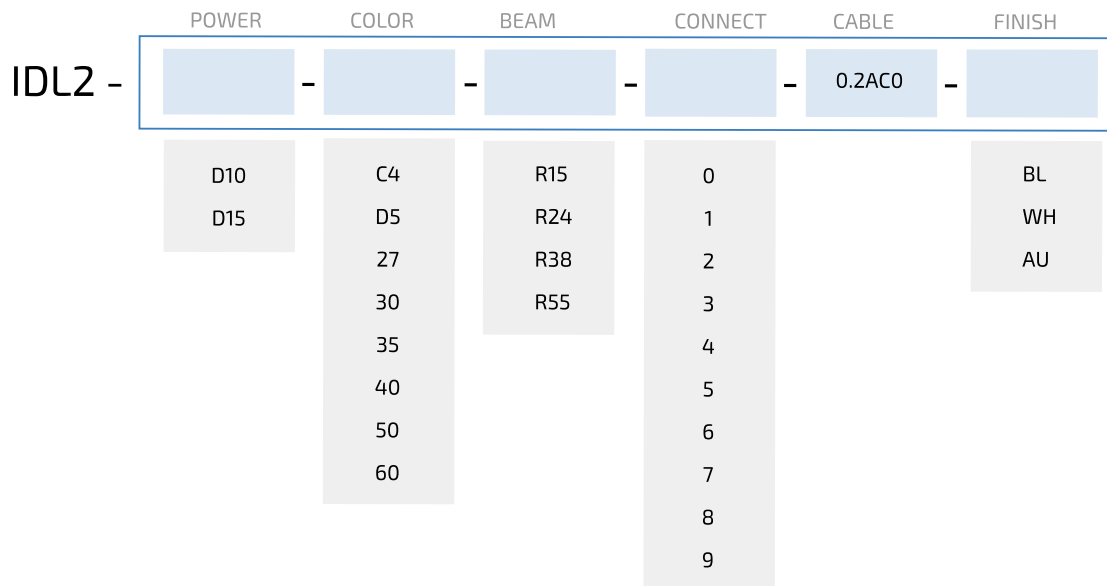
5- Cable

0.2AC0	20cm AC cable with open End
--------	-----------------------------

6- Finish

BL	Black
WH	White
AU	Aluminum

Configuration options



SYCRA
One Step Smarter.

Germany
Stahlgruberring 36
81829 Munich,
Germany
(49) 89 215522535

Hong Kong
No.1120, Level 11, Landmark North,
39 Lung Sum Avenue, Sheung Shui,
New Territories
(852) 6850 8634

China
7 Ganli 6th rd, 2F Building 2,
Longgang district, 518000
Shenzhen, China
(86) 755 2891 1623

Sycra reserves the right to make changes to this product at any time without prior notice and such modification shall be effective immediately. For more information and details, visit www.sycratech.com or contact info@sycratech.com.

© Sycra Technologies Limited