

ON/OFF SMART SWITCH

MIYA M10

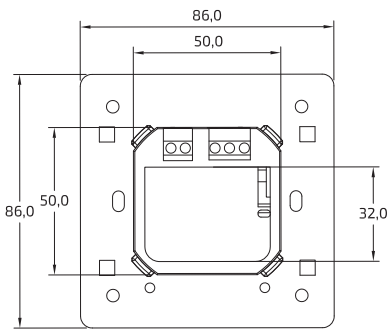
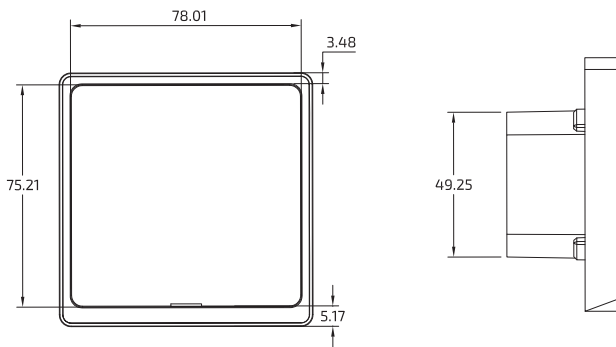
ON/OFF Wireless Smart Switch

Introducing the Miya M10, the ON/OFF Smart Switch, Sycra®'s innovative addition to the Miya Smart Switches product line. Engineered with cutting-edge wireless mesh communication technology, Miya M10 offers seamless connectivity for a diverse range of applications.

Designed to accommodate both AC and battery powered inputs, Miya M10 Smart Switch provides unparalleled versatility and convenience.

The Miya Smart Switch Family offers a variety of configuration options available, including 1 gang, 2 gangs, rotating, and 4 gangs, users can easily tailor the switch to suit their specific needs.

Whether it's simple on/off control, smooth dimming functionality, auto/manual operation, or precise CCT (Correlated Color Temperature) adjustments, the Miya Family of Smart Switch offers an all-in-one solution to meet various IoT control requirements.



Technical data

Type	1 gang switch
Input power	100-240 VAC
Rated loading	1000W Max. for LED
Size (mm)	86 x 86 x 39.5
Communication	Wireless Mesh
Range (Wireless)	20m
Standby power	<1W
Working Temperature	-10°C~+45°C
IP Rating	IP 20
Working Humidity	<90%
Button Life	50,000 times
Function	On / Off

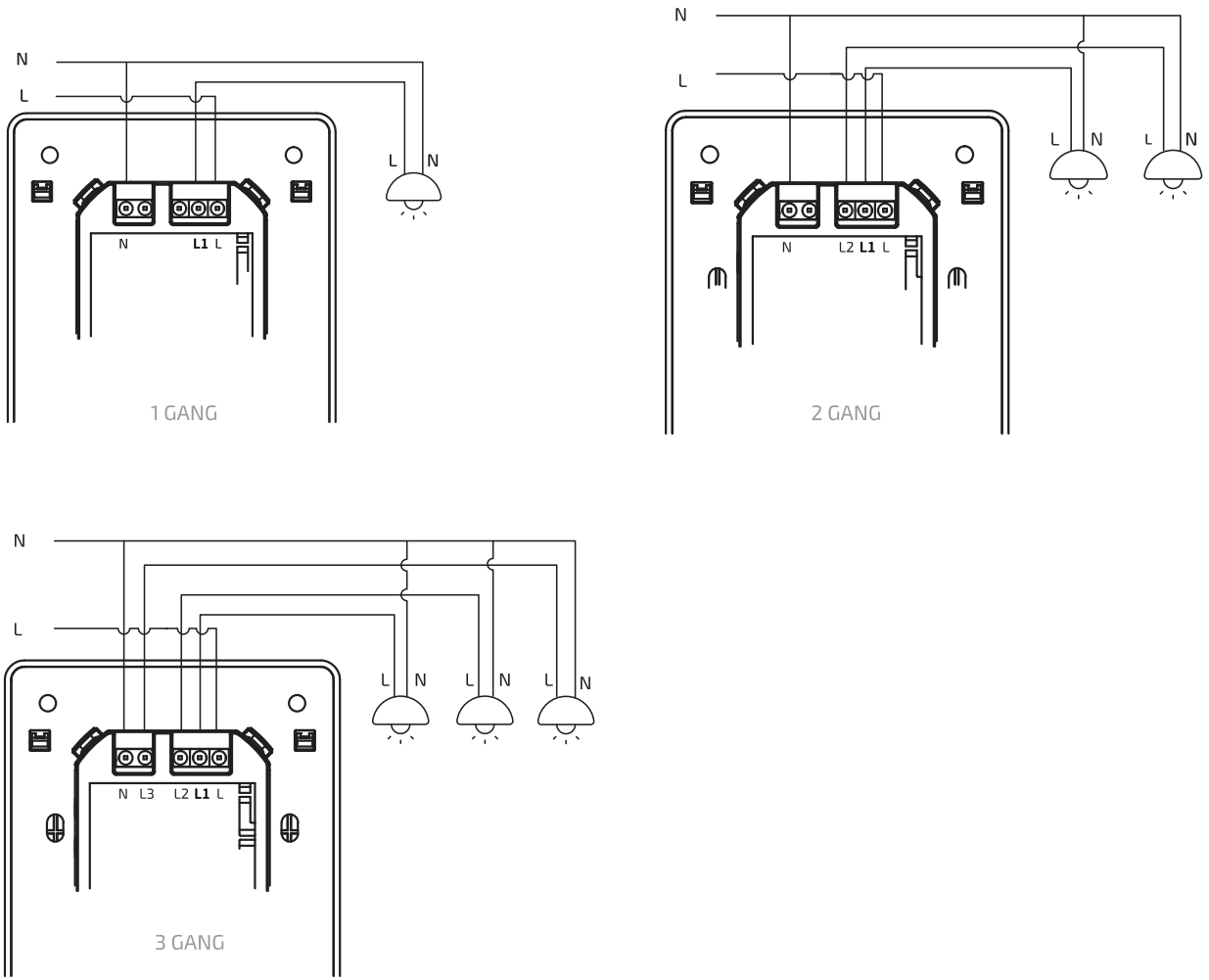
Features

- Wireless Mesh
- Multi Platform support
- Mechanical Push ON/OFF button
- Compatible with incandescent, LED and CFL lamps

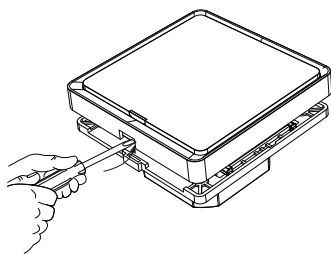
Applications

- Building Automation
- Greenhouse
- Smart Garden
- Industrial Facilities
- Wireless Mesh Switch

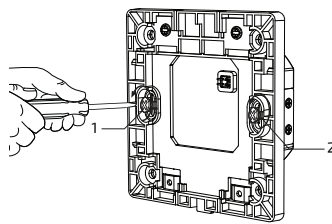
Connection diagram



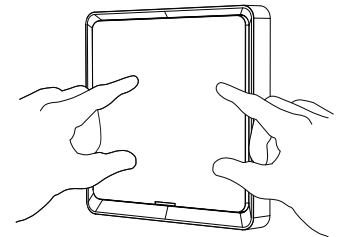
Installation diagrams



STEP 1: Remove the switch panel cover using the appropriate screwdriver.



STEP 2: Mount the switch with the provided screws



STEP 3: Reattach the switch panel and enjoy your Smart Switch.



Germany
 Stahlgruberring 36
 81829 Munich,
 Germany
 (49) 89 215522535

Hong Kong
 Unit 725, 7/F, Building 19W,
 No. 19 Science Park West Avenue,
 Hong Kong
 (852) 6575 0495

China
 7 Ganli 6th rd, 2F Building 2,
 Longgang district, 518000
 Shenzhen, China
 (86) 755 2891 1623

Disclaimer:
 Sycra® reserves the right to make changes to this product at any time without prior notice and such modification shall be effective immediately. For more information and details, visit www.sycratech.com or contact info@sycratech.com.