



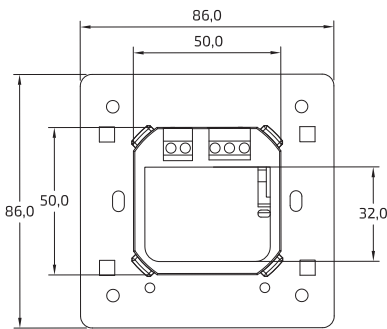
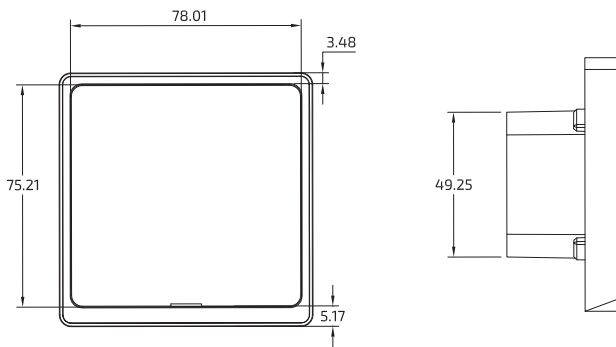
## WorkActiv® Wireless Smart Switch

Introducing the Miya M10A, the WorkActiv Smart Switch, Sycra®'s innovative addition to the Miya Smart Switches product line. Engineered with cutting-edge Wireless Mesh communication technology, Miya M10A offers seamless connectivity for a diverse range of applications.

Designed to accommodate both AC and battery powered inputs, Miya M10A Smart Switch provides unparalleled versatility and convenience.

The Miya Smart Switch Family offers a variety of configuration options available, including 1 gang, 2 gangs, rotating, and 4 gangs, users can easily tailor the switch to suit their specific needs.

Whether it's simple on/off control, smooth dimming functionality, auto/manual operation, or precise CCT (Correlated Color Temperature) adjustments, the Miya Family of Smart Switch offers an all-in-one solution to meet various IoT control requirements.



## WORKACTIV SMART SWITCH

# MIYA M10A

### Technical data

Type	1 gang switch
Input power	100-240 VAC
Rated loading	1000W Max. for LED
Size (mm)	86 x 86 x 39.5
Communication	Wireless Mesh
Range (Wireless)	20m
Standby power	<1W
Working Temperature	-10°C~+45°C
IP Rating	IP 20
Working Humidity	<90%
Button Life	50,000 times
Function	Auto Mode / WorkActiv Mode

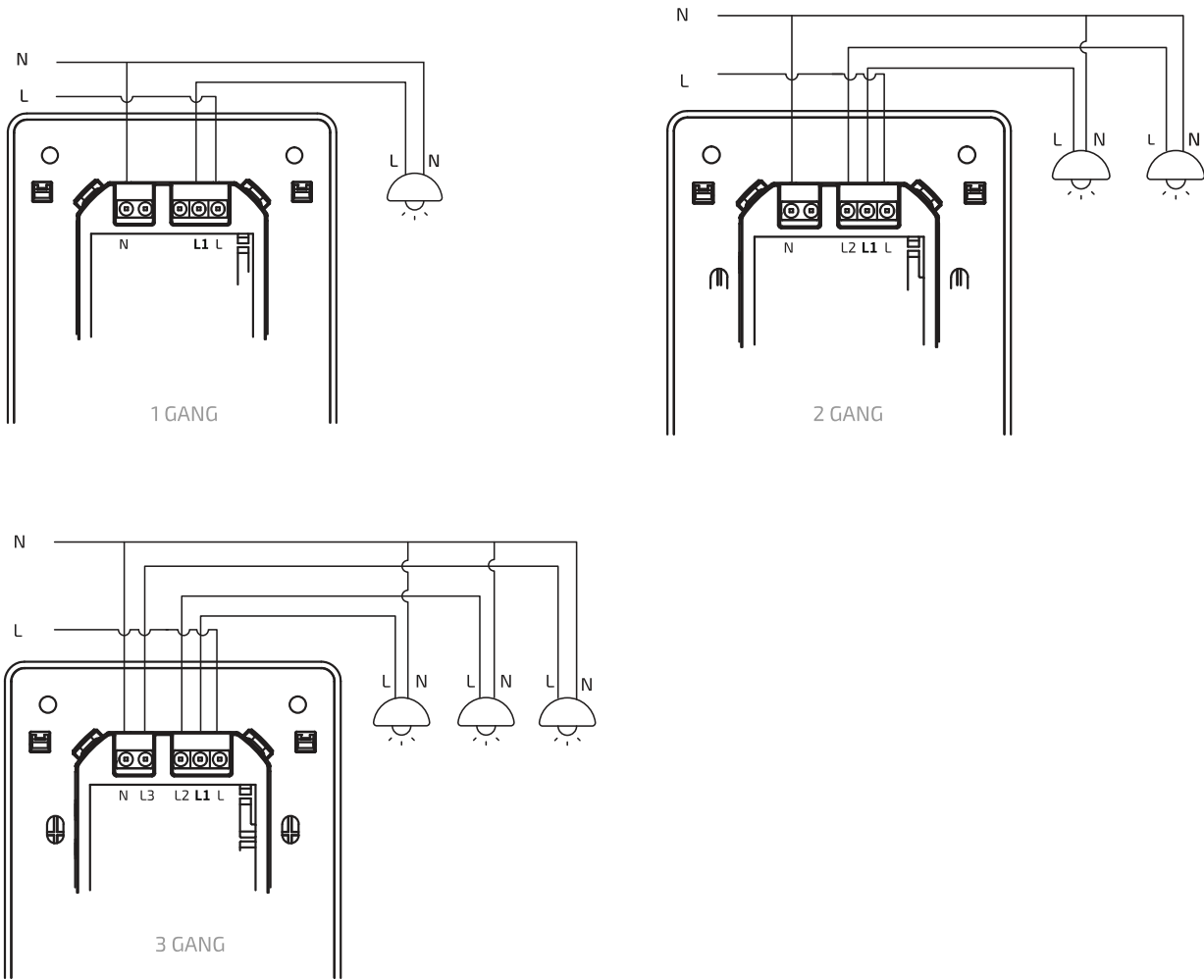
## Features

- Wireless Mesh
- Multi Platform support
- Mechanical Push button
- Compatible with incandescent, LED and CFL lamps

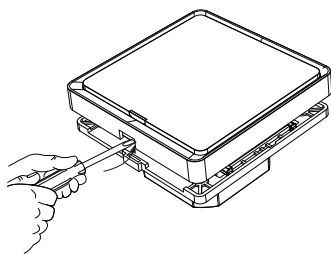
## Applications

- Building Automation
- Greenhouse
- Smart Garden
- Industrial Facilities
- Wireless Mesh Switch

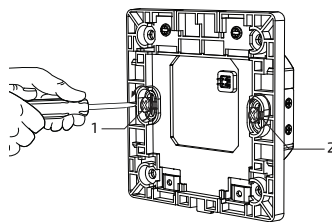
# Connection diagram



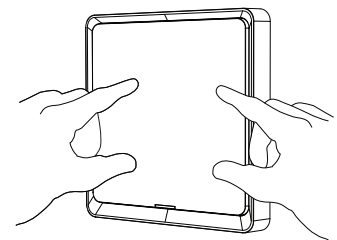
# Installation diagrams



STEP 1: Remove the switch panel cover using the appropriate screwdriver.



STEP 2: Mount the switch with the provided screws



STEP 3: Reattach the switch panel and enjoy your Smart Switch.



**Germany**  
 Stahlgruberring 36  
 81829 Munich,  
 Germany  
 (49) 89 215522535

**Hong Kong**  
 Unit 725, 7/F, Building 19W,  
 No. 19 Science Park West Avenue,  
 Hong Kong  
 (852) 6575 0495

**China**  
 7 Ganli 6th rd, 2F Building 2,  
 Longgang district, 518000  
 Shenzhen, China  
 (86) 755 2891 1623

Disclaimer:  
 Sycra® reserves the right to make changes to this product at any time without prior notice and such modification shall be effective immediately. For more information and details, visit [www.sycratech.com](http://www.sycratech.com) or contact [info@sycratech.com](mailto:info@sycratech.com).