



ROTATIVE WIRELESS SMART SWITCH

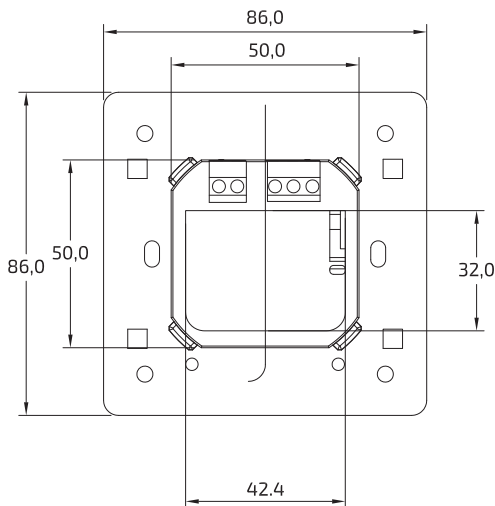
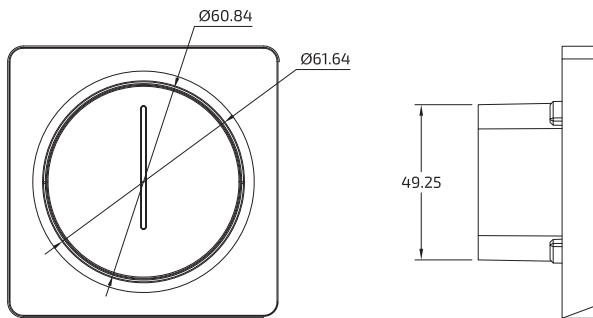
MIYA M30

Stylish rotative Wireless Smart Switch

Introducing Miya M30, the rotative wireless Smart Switch and Sycra®'s most stylish addition to the Miya Smart Switches product line. Engineered with cutting-edge wireless mesh communication technology and a rotative pad, Miya M30 offers seamless connectivity and a fast and precise way of control for a diverse range of applications

Designed to accommodate both AC and battery-powered inputs, Miya M30 provides unparalleled versatility and convenience with its ON/OFF, BOOST MODE, WORKACTIV MODE, and COMFORT MODE capabilities.

The Miya Smart Switch Family offers a variety of configuration options available, including 1 gang, 2 gangs, rotating, and 4 gangs, users can easily tailor the switch to suit their specific needs. Whether it's simple ON/OFF control, activating BOOST MODE, enabling WORKACTIV MODE, or adjusting the settings for COMFORT MODE, the Miya Family of Smart Switch offers an all-in-one solution to meet various IoT control requirements.



Technical data

Type	Rotating round button
Input power	100-240 VAC
Rated loading	<220W Max. for LED/CFL <300W Max for Incandescent
Size (mm)	86 x 86 x 43
Communication	Wireless Mesh
Range (Wireless)	20m
Standby power	IP20
IP Rating	<1W
Working Temperature	-10°C~+45°C
Working Humidity	<90%
Button Life	50,000 times
Function	On / Off, Dimming

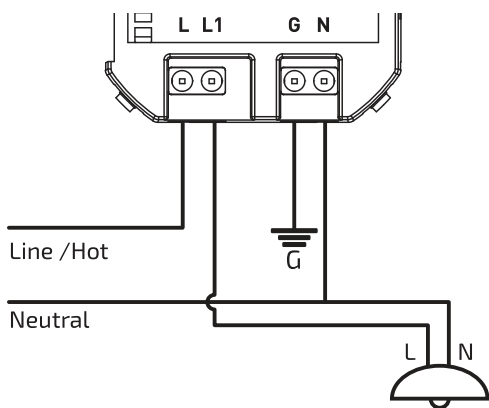
Features

- Wireless Mesh Connectivity
- Multi-platform support
- Multifunction rotative button
- Compatible with incandescent, LED and CFL lamps

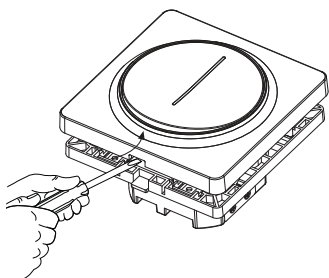
Applications

- Building Automation
- Greenhouse
- Smart Garden
- Industrial Facilities
- Wireless Mesh Switch

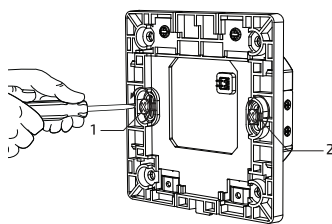
Connection Diagram



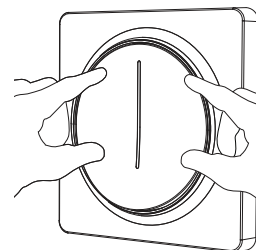
Installation diagrams



STEP 1: Remove the switch panel cover using the appropriate screwdriver.



STEP 2: Mount the switch with the provided screws



STEP 3: Reattach the switch panel and enjoy your Smart Switch.



Germany
Stahlgruberring 36
81829 Munich,
Germany
(49) 89 215522535

Hong Kong
Unit 725, 7/F, Building 19W,
No. 19 Science Park West Avenue,
Hong Kong
(852) 6575 0495

China
7 Ganli 6th rd, 2F Building 2,
Longgang district, 518000
Shenzhen, China
(86) 755 2891 1623

Disclaimer:
Sycra® reserves the right to make changes to this product at any time without prior notice and such modification shall be effective immediately. For more information and details, visit www.sycratech.com or contact info@sycratech.com.